



至光工具股份有限公司
J&K International Co., Ltd.
Jun Kaung Industries Co., Ltd.

台灣台中市大里區景庄街180巷20號
Factory: 20, Lane 180, Jing Juang St., Tali, Taichung Taiwan 41263
Tel:886-4-24962255 Fax:886-4-24969265
e-mail: jk@jktool.com.tw
www.autoaccessory.com.tw
www.jktool.com.tw

富陽森森機械制造有限公司
ALL BEST INDUSTRIAL (HANGZHOU) CO., LTD.
FUYANG SENSEN MACHINE BUILDING CO., LTD.

中国杭州富阳市东洲工业园区5号路9号 P.C.:311400
NO.9, 5TH ROAD DONGZHOU INDUSTRIAL AREA,
FUYANG, HANGZHOU, CHINA 311400
Tel: 86-571-63408876 / Fax: 86-571-63408875
e-mail: ssjxzz@vip.163.com
e-mail: sales@all-best.com.cn
www.all-best.com.cn





CONSTANTLY REFINING PRODUCTS



TRAILER JACK



As hand tools, they are second to none in the world.





Welcome to **Jun Kaung**[®] world ...
MANUFACTURER

About JK



Hardness Tester

Since 1985, when JK first Hand Power Puller was manufactured in Taiwan, quality has been an integral part of all the products that bear JK name.



Puller Fatigue Tester

JK operates one operations center in Taiwan. The headquarters located in Taichung markets and finances global business and manages brand worldwide.

Market-Oriented Strategic Planning



Salt Spray (Fog) Testing Machine

JK develops the board marketing objectives and strategy based on an analysis of the current marketing situation and opportunities. JK Group is a market-oriented corporation, which enables it to remain at the forefront of the markets in auto industry.



4T Testing Machine

JK means a high-performance mark that consistently satisfies or exceeds the expectation of consumers.



Tie Down Fatigue Tester

JK pioneers both the research and the development fields of manufacturing hand tools that have become the essential elements in auto industries.

Not only does JK satisfy its customers' requirements, but also it consults for the interests of its customers.



20T Micro-computer Universal Testing Machine

JK is an established and rapidly growing supplier of hand tool products to auto industry. Its offerings include hand power puller, tie down, trailer winch, trailer jack, tie down buckle, web sling, luggage cord, cargo net, hook, and related auto accessories.

One-Stop Shop and Total Solution



Funtion Testing Machine

"Listening to the customers" is an essential feature of our quality service initiative.

To pursue enhanced quality efforts including improved production procedures, innovative research and development, and best service.

Our customer service team responds the questions and complaints within 24 hours.



Torsion Testing Machine

We continually look for ways to improve quality. Our quality system as well as our products is established and developed with international standards.

We commit to research a dedicated product development and application program, designed to provide value-added services to our customers.



Winch Testing Machine

A partnership with customers enhances their ability to edge competition by getting to market faster and more economically.

TRAILER JACKS

J&K TRAILER JACKS are an excellent design for boat trailers, industrial and agricultural equipments to ease loading and unloading, as well as raising the trailer to a proper height or angle.

CONTENTS

● *Trailer Jack / 1*

● *Other Products / 10*



Round Jack

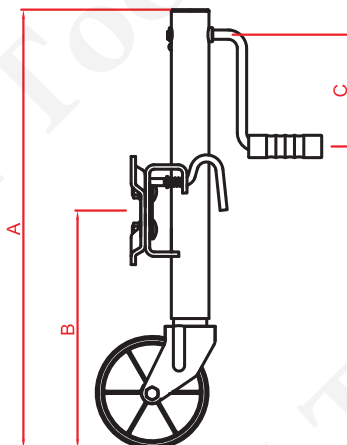
TRAILER JACK



SS101



SS102



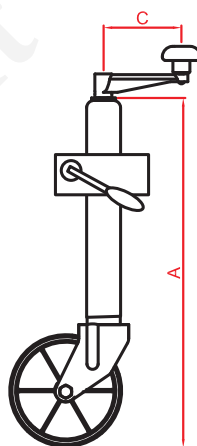
ITEM NO.	CAP(lbs)	TUBE OUT/IN	A	B	C	TRAVEL	N.W.	WHEEL
SS101	1000	Ø50.8/Ø44.5	570	325	150	10"	6.0kg	6"
SS102	1000	Ø50.8/Ø44.5	585	320	150	10"	5.7kg	6"



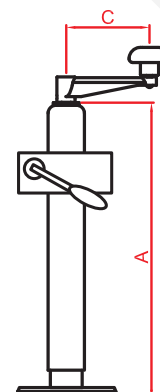
SS103



SS104



SS104B

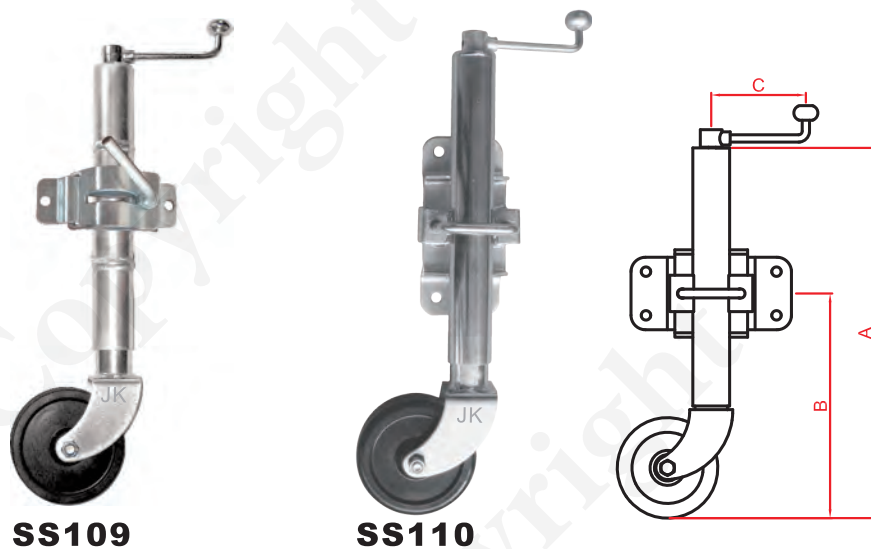


ITEM NO.	CAP(lbs)	TUBE OUT/IN	A	B	C	TRAVEL	N.W.	WHEEL
SS103	150	Ø34/Ø28	470	-	110	10"	3.0kg	6"
SS104	500	Ø48/Ø42	530	-	110	10"	5.4kg	5 1/2"
SS104B	500	Ø48/Ø42	370	-	110	10"	3.6kg	4" x 8"

Round Jack



ITEM NO.	CAP(lbs)	TUBE OUT/IN	A	B	C	TRAVEL	N.W.	WHEEL
SS106	500	Ø48/Ø42	510	-	110	10"	6.0kg	6"
SS107	330	Ø48/Ø42	470	-	110	10"	5.7kg	8"
SS107B	330	Ø42/Ø34	470	-	110	10"	5.5kg	8"
SS108	330	Ø48/Ø42	500	-	110	10"	5.0kg	10"



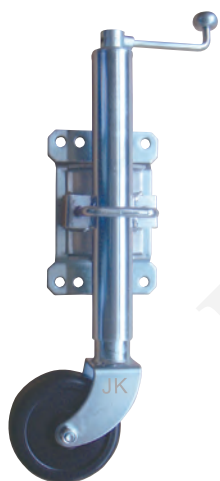
ITEM NO.	CAP(lbs)	TUBE OUT/IN	A	B	C	TRAVEL	N.W.	WHEEL
SS109	500	Ø50.8/Ø44.5	510	-	130	10"	5.6kg	6"
SS110	500	Ø50.8/Ø44.5	510	310	130	10"	6.2kg	6"

Round Jack

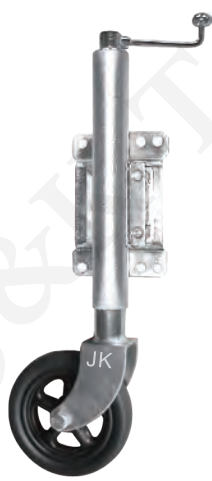
TRAILER JACK



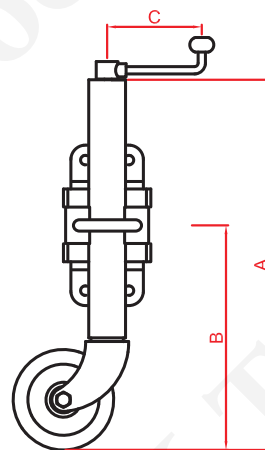
SS112



SS113



SS114



ITEM NO.	CAP(lbs)	TUBE OUT/IN	A	B	C	TRAVEL	N.W.	WHEEL
SS112	500	Ø50.8/Ø44.5	510	310	130	10"	6.1kg	5 1/2"
SS113	500	Ø50.8/Ø44.5	510	310	130	10"	6.3kg	6"
SS114	500	Ø50.8/Ø44.5	580	380	130	10"	8.0kg	8"



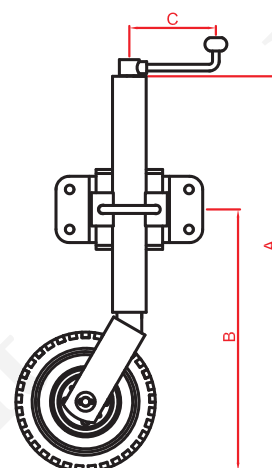
SS115



SS116



SS116B

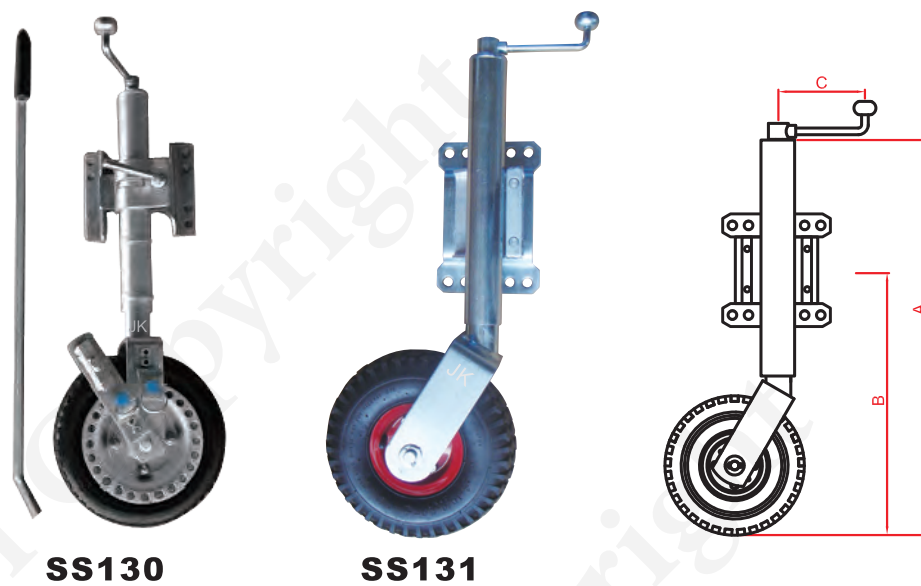


ITEM NO.	CAP(lbs)	TUBE OUT/IN	A	B	C	TRAVEL	N.W.	WHEEL
SS115	500	Ø50.8/Ø44.5	630	-	130	10"	7.5kg	10"
SS116	500	Ø50.8/Ø44.5	630	430	130	10"	8.0kg	10"
SS116B	500	Ø50.8/Ø44.5	630	430	130	10"	11.6kg	10"

Round Jack



ITEM NO.	CAP(lbs)	TUBE OUT/IN	A	B	C	TRAVEL	N.W.	WHEEL
SS111	1500	Ø50.8/Ø44.5	580	-	130	10"	7.5kg	8"
SS118	1500	Ø50.8/Ø44.5	580	-	110	10"	6.5kg	8"
SS136	1500	Ø50.8/Ø44.5	580	-	150	10"	4.5kg	8"



ITEM NO.	CAP(lbs)	TUBE OUT/IN	A	B	C	TRAVEL	N.W.	WHEEL
SS130	500	Ø50.8/Ø44.5	650	-	130	10"	13.8kg	10"
SS131	500	Ø50.8/Ø44.5	630	430	130	10"	7.5kg	10"

Round Jack

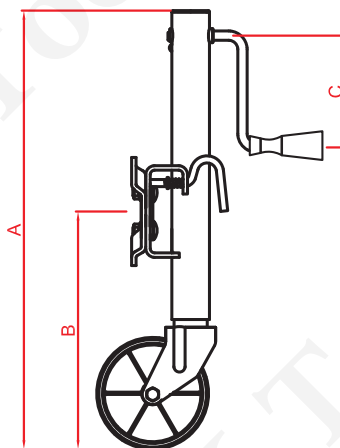
TRAILER JACK



SS134



SS139



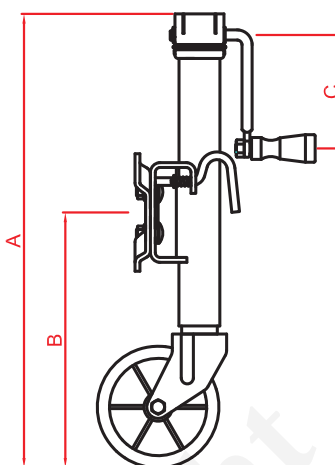
ITEM NO.	CAP(lbs)	TUBE OUT/IN	A	B	C	TRAVEL	N.W.	WHEEL
SS134	1500	Ø57/Ø50.8	670	360	150	15"	8.6kg	6"
SS139	1000	Ø50.8/Ø44.5	570	320	150	10"	6.0kg	6"



SS140



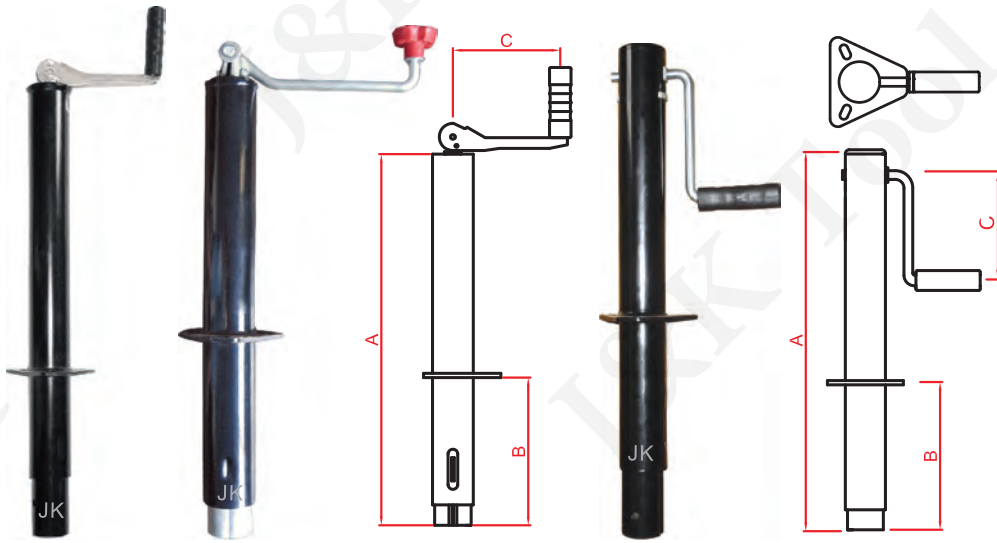
SS141



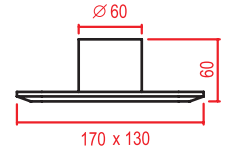
SS184

ITEM NO.	CAP(lbs)	TUBE OUT/IN	A	B	C	TRAVEL	N.W.	WHEEL
SS140	1500	Ø50.8/Ø44.5	640	367	150	10"	7.6kg	8"
SS141	1000	Ø50.8/Ø44.5	560	315	150	10"	6.5kg	6"
SS184	1000	Ø50.8/Ø44.5	520	268	130	10"	6.0kg	6"

Round Jack



LOW FOOTPLATE



RF-L01

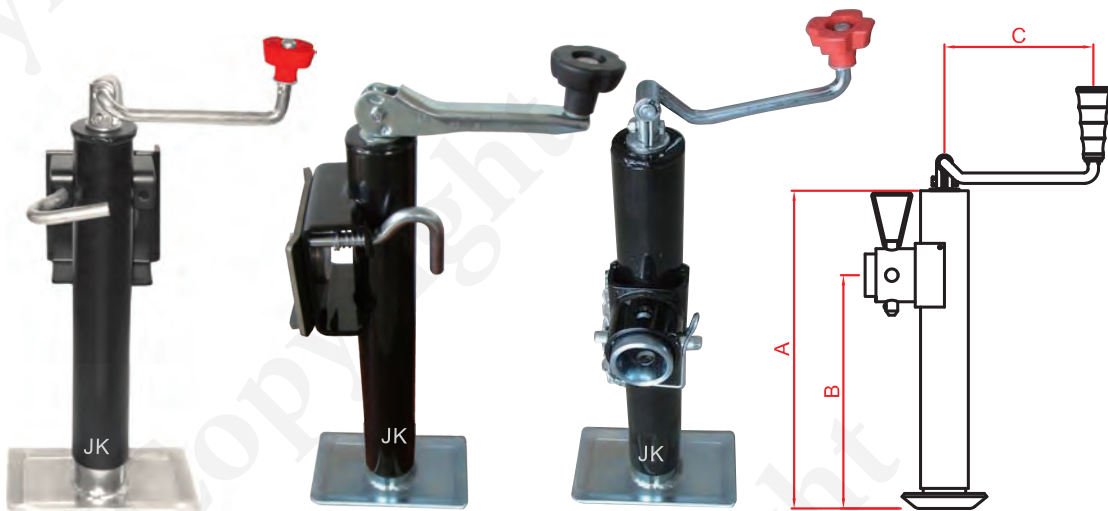
HIGH FOOTPLATE



RF-H01

SS117
SS117D SS117A SS117B

ITEM NO.	CAP(lbs)	TUBE OUT/IN	A	B	C	TRAVEL	N.W.
SS117	2000	Ø57/Ø50.8	485	204	150	15"	4.5kg
SS117A	2000	Ø57/Ø50.8	485	204	165	15"	4.5kg
SS117B	2000	Ø57/Ø50.8	540	220	150	15"	5.2kg
SS117D	5000	Ø57/Ø50.8	485	204	150	15"	5.0kg



SS120/SS120B SS120A SS121/SS121A

ITEM NO.	CAP(lbs)	TUBE OUT/IN	A	B	C	TRAVEL	N.W.	PLATE
SS120	2000	Ø57/Ø50.8	386	278	165	10"	5.5kg	4"x8"
SS120A	2000	Ø57/Ø50.8	484	370	150	15"	6.2kg	4"x8"
SS120B	2000	Ø57/Ø50.8	484	370	165	15"	6.5kg	4"x8"
SS121	2000	Ø57/Ø50.8	386	278	165	10"	5.2kg	4"x8"
SS121A	2000	Ø57/Ø50.8	484	370	165	15"	6.0kg	4"x8"

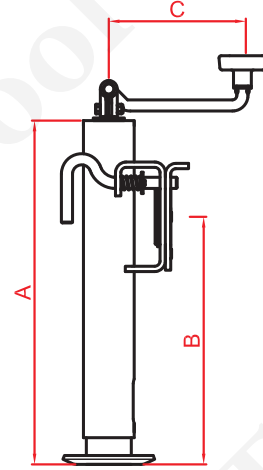
Round Jack



SS122/SS122A



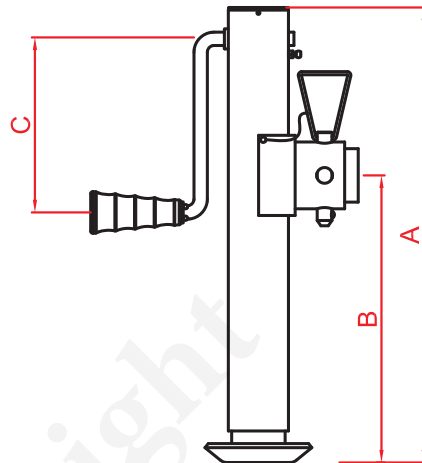
SS124/SS124A



ITEM NO.	CAP(lbs)	TUBE OUT/IN	A	B	C	TRAVEL	N.W.	PLATE
SS122	2000	Ø57/Ø50.8	450	270	165	10"	5.2kg	4"x8"
SS122A	2000	Ø57/Ø50.8	570	390	165	15"	6.6kg	4"x8"
SS124	2000	Ø57/Ø50.8	386	278	165	10"	5.8kg	4"x8"
SS124A	2000	Ø57/Ø50.8	484	370	165	15"	6.2kg	4"x8"

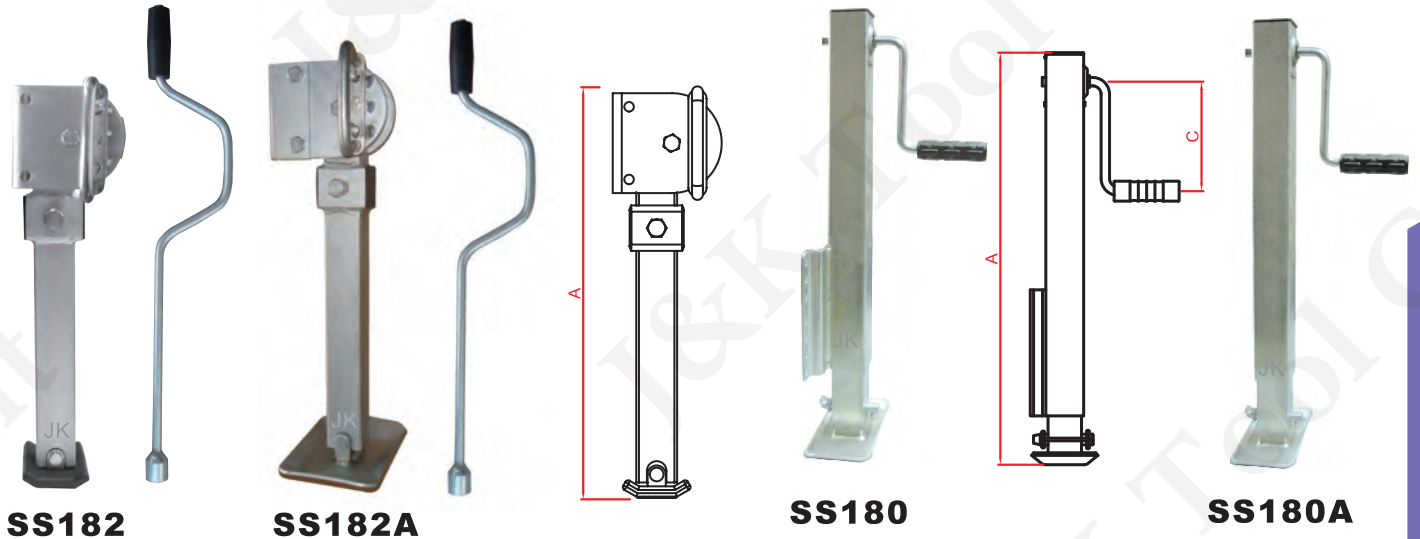


SS133/SS133A/SS133C



ITEM NO.	CAP(lbs)	TUBE OUT/IN	A	B	C	TRAVEL	N.W.	PLATE
SS133	2000	Ø57/Ø50.8	435	273	165	10"	6.0kg	4"x8"
SS133A	2000	Ø57/Ø50.8	565	361	165	15"	6.5kg	4"x8"
SS133C	5000	Ø57/Ø50.8	565	361	165	15"	7.2kg	4"x8"

Square Jack



ITEM NO.	CAP(lbs)	TUBE OUT/IN	A	B	C	TRAVEL	N.W.	PLATE
SS182	1000	□44.5/□38	450	-	-	7.2"	6.0kg	3"x4"
SS182A	1000	□44.5/□38	500	-	-	8.6"	7.2kg	4"x6"
SS180	2500	□57/□50.8/□44.5	625	-	165	15"+13.6"	9.5kg	4"x8"
SS180A	3500	□57/□50.8/□44.5	625	-	165	15"+13.6"	8.3kg	4"x8"



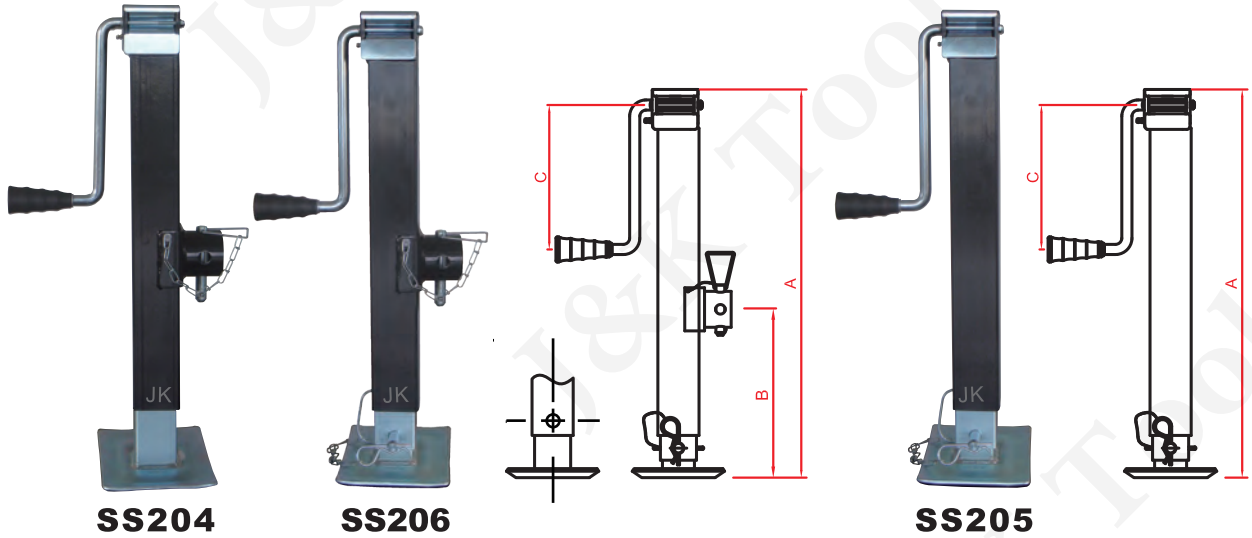
SS201/SS201A

SS203/SS203A

ITEM NO.	CAP(lbs)	TUBE OUT/IN	A	B	C	TRAVEL	N.W.	PLATE
SS201	2000	□57/□50	435	270	165	10"	6.8kg	4"x6"
SS201A	2000	□57/□50	555	390	165	15"	8.0kg	4"x6"
SS203	5000	□57/□50	435	270	165	10"	6.5kg	4"x8"
SS203A	5000	□57/□50	555	390	165	15"	8.3kg	4"x8"

Square Jack

TRAILER JACK



SS204

SS206

SS205

ITEM NO.	CAP(lbs)	TUBE OUT/IN	A	B	C	TRAVEL	N.W.	PLATE
SS204	7000	□64/□57	590	324	228	15"	10.2kg	6"x8"
SS205	7000	□64/□57/□50	615	-	228	15"+13.6"	11.0kg	6"x8"
SS206	8000	□64/□57/□50	615	-	228	15"+13.6"	12.0kg	6"x8"



SS221

SS211/SS211A/SS213/SS213A

ITEM NO.	CAP(lbs)	TUBE OUT/IN	A	B	C	TRAVEL	N.W.	PLATE
SS211	2000	□57/□50	380	270	178	10"	6.2kg	4"x8"
SS211A	2000	□57/□50	500	390	178	15"	8.2kg	4"x8"
SS213	5000	□57/□50	380	270	178	10"	6.5kg	4"x8"
SS213A	5000	□57/□50	500	390	178	15"	8.5kg	4"x8"
SS221	5000	□60/□50	390	315	186	10"	8.5kg	5"x7"

Square Jack



ITEM NO.	CAP(lbs)	TUBE OUT/IN	A	B	C	TRAVEL	N.W.	PLATE
SS170	3500	□57/□50/□44.5	625	-	165	15"	11.0kg	4"x8"
SS170A	3500	□57/□50/□44.5	625	-	165	15"+13.6"	11.5kg	4"x8"
SS214	7000	□64/□57	540	324	228	15"	9.5kg	6"x8"
SS215	7000	□64/□57/□50	560	-	228	15"+13.6"	10.0kg	6"x8"

Other Products



BALL MOUNT

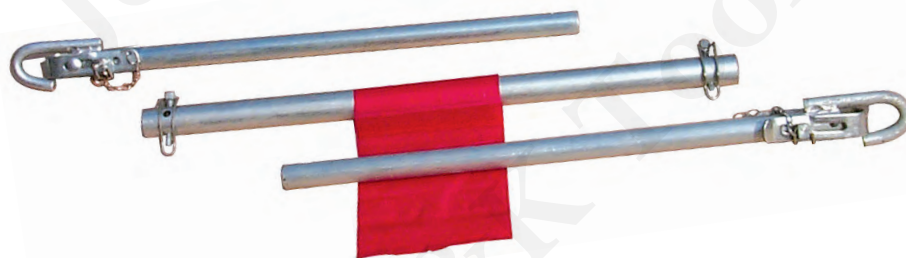
ADJUSTABLE BALL MOUNT

MODEL	RISE	DROP	LENGTH	N.W.
2"	3/4"	2"	8 1/2"	3.0kg
4"	3"	4 1/4"	10"	3.7kg
6"	4 3/4"	6"	15 1/4"	5.7kg
D-18	3/4"	1 1/4"	6 3/4"	1.9kg
D-21	1/2"	3 1/4"	7 1/4"	2.2kg
HI-LOW	2"	3 1/4"	11"	3.7kg
STRAIGHT	3/4"	2"	10"	3.1kg

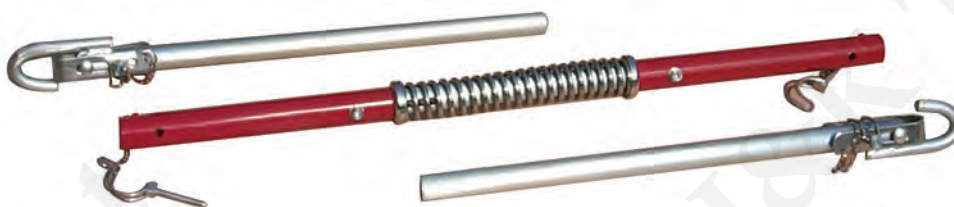
OTHER PRODUCTS

Tow Pole

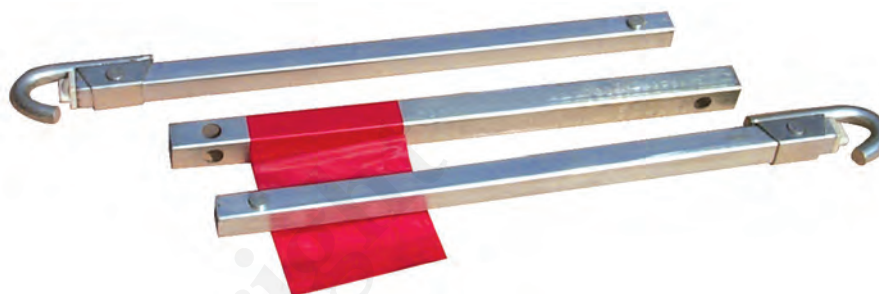
OTHER PRODUCTS



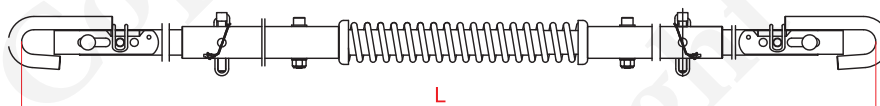
TL1.8A



TL1.8B



TL1.8C



MODEL	DESCRIPTION	Cap	L	TUBE	N.W.
TL1.8A	ROUND	1800KG	1800	Ø26.8/Ø33.5	4.0kg
TL1.8B	ROUND&SPRING	1800KG	1800	Ø26.8/Ø33.5	5.2kg
TL1.8C	SQUARE	1800KG	1800	□30/□25	4.6kg

Part Kits



CRANK



PLASTIC GRIP

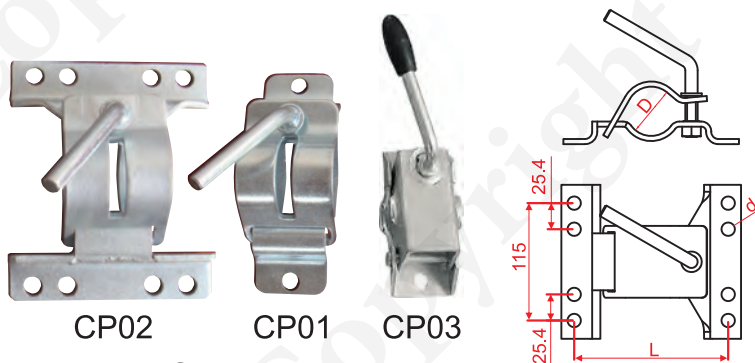
KNOB GRIP

PLASTIC GRIP

PG01	Ø12.8X100
PG02	Ø12.8X90
PG03	Ø12.8X100
PG04	Ø12.8X80
PG05	Ø12.8X80

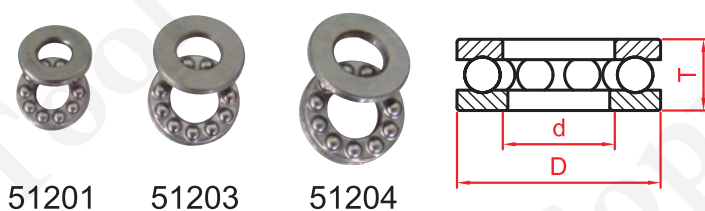
KNOB GRIP

KG01	Ø56X42
KG02	SØ54.8X45
KG03	Ø52.5X34
KG04	Ø54X37



CLAMP

ITEM NO.	D	d	L
CP01-01	Ø50.8	Ø13	155
CP02-01	Ø50.8	Ø13	155
CP03-01	Ø34	Ø10	105
CP03-02	Ø42	Ø10	105
CP03-03	Ø48	Ø10	105

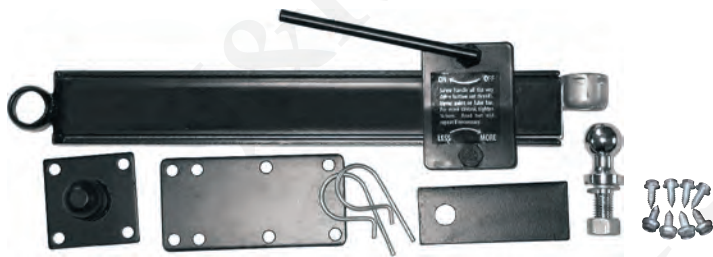


BEARING

ITEM NO.	D	d	T
51201	28	13	11
51203	35	17	12
51204	40	20	14

OTHER PRODUCTS

Part Kits



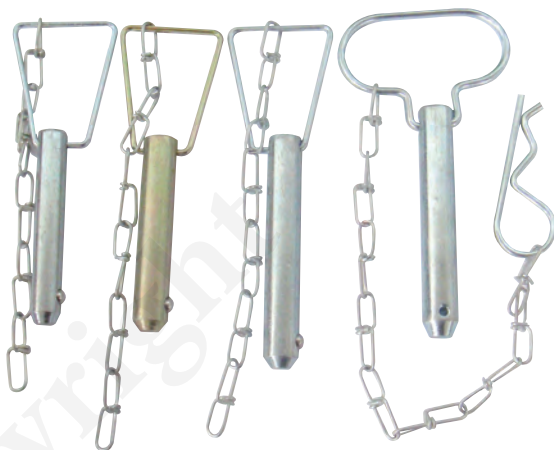
SWAY CONTROL

MODEL	SIZE	N.W.
SWCN 51065	510X65X30	6.5kg



SPLITTER

MODEL	SIZE	N.W.
SPIT82055	820X55X50	6.1kg



Ø14X90 Ø16X90 Ø16X105 Ø16X105

PIN



Ø8X70 Ø8X70 Ø14X90 Ø16X90



Ø12X80 Ø 9.5X76.2 Ø9.5 Ø12.5 Ø15/Ø12.5



NUT



GR50 GR35



GR20 GR15



GR10

GEAR

Tread Range : Tr14 、 Tr16 、 Tr19
 Tr22 、 Tr25.4
 Tube Size : Ø28~Ø51
 □38~□57

NO.	GR10	GR15	GR20	GR35	GR50
CAP	1000LBS	1500LBS	2000LBS	3500LBS	5000LBS

OTHER PRODUCTS

Part Kits



MODEL	N.W.
JWP-1	0.7kg



MODEL	N.W.
JWP-2	0.8kg

Let Jun Kaung's Quality Products Be Your Best Helpmate!

