



WINCHES

J&K TRAILER WINCHES are designed for easier loading of your small boat, Go Kart, ATV, lawn mower, cargo, etc. They include a comfortable handle grip for a positive hold while cranking. An anti-corrosive finish for superior corrosion resistance even in saltwater environments, strong winch drums and pressed steel gears to resist wear and last longer.



W06-506



W06-520



W06-920A



W06-514



W06-525A



W06-920BL



W06-512G



W06-D520



W06-D532



W06-D520G



W06-508-9



W06-512-9



W06-D516-9



W06-D520-9

WINCHES

Standard



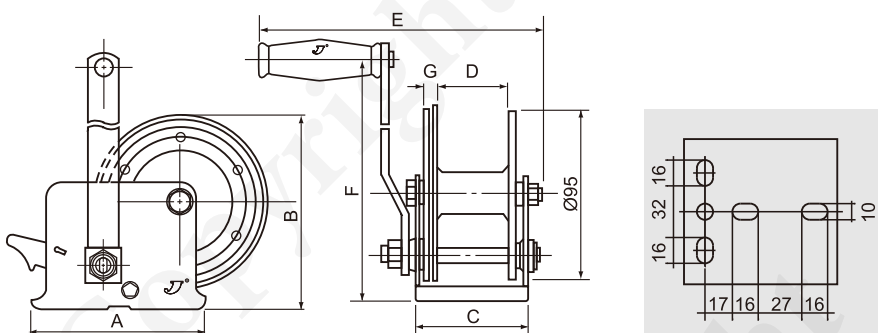
Shift Lock



Ratchet Cover

W06-506 / W06-508

- *Solid gear construction
- *Black electrostatic discharge coating or zinc plated finish
- *Precise gear tooth engagement



ITEM NO.	CAPACITY	GEAR RATIO	A	B	C	D	E	F	G	THICKNESS	
										BODY	GEAR
W06-506	600lbs / 270kgs	3.1 : 1	95	104	89	50	230	205	10	3.0	6.0
W06-508	850lbs / 385kgs	3.1 : 1	95	104	89	50	230	205	11	3.2	7.0

※ Plastic guard for the gear is available

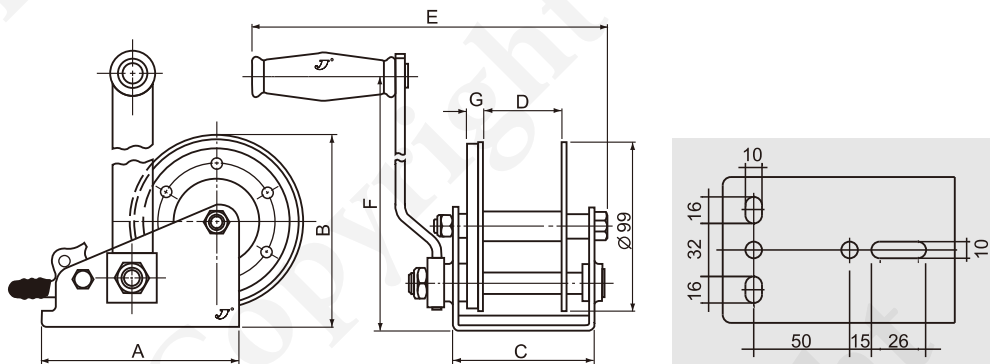
Standard



Ratchet Cover

W06-508B / W06-510B

- *Solid gear construction
- *Black electrostatic discharge coating or zinc plated finish
- *Precise gear tooth engagement
- *Two position pawl
- *Switch with PVC cover



ITEM NO.	CAPACITY	GEAR RATIO	A	B	C	D	E	F	G	THICKNESS	
										BODY	GEAR
W06-508B	850lbs / 385kgs	3.1 : 1	126	117	88	49	233	186	11	3.0	7.0
W06-510B	1000lbs / 450kgs	4.1 : 1	138	153	89	52	240	223	10	3.2	7.0

※ Plastic guard for the gear is available

Standard

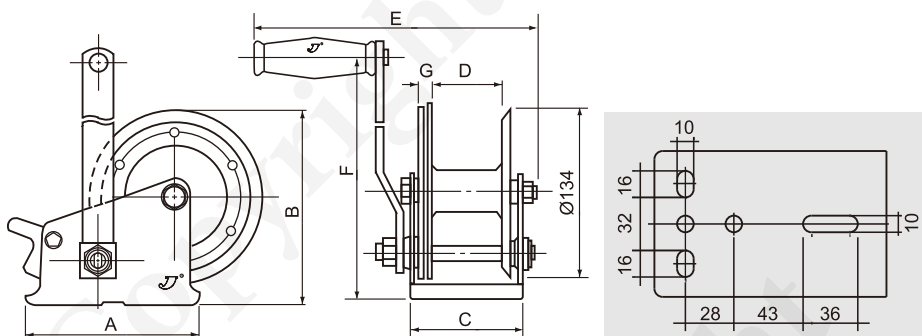
WINCHES



Ratchet Cover

W06-512 / W06-514 / W06-516

- *Solid gear construction
- *Black electrostatic discharge coating or zinc plated finish
- *Precise gear tooth engagement



ITEM NO.	CAPACITY	GEAR RATIO	A	B	C	D	E	F	G	THICKNESS	
										BODY	GEAR
W06-512	1200lbs / 545kgs	4.1 : 1	138	153	89	52	240	223	10	3.0	7.0
W06-514	1400lbs / 636kgs	4.1 : 1	138	153	89	52	240	223	11	3.2	7.5
W06-516	1600lbs / 727kgs	4.1 : 1	138	153	89	52	240	223	12	3.5	8.0

※ Plastic guard for the gear is available

Professional

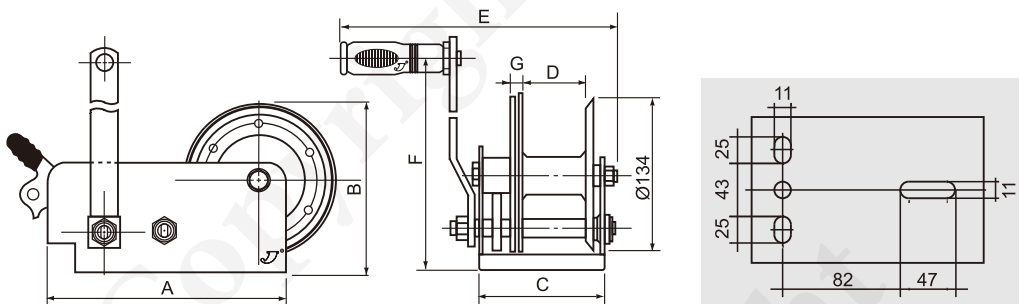


Ratchet Cover

WINCHES

W06-520 / W06-525

- *Solid gear construction
- *Black electrostatic discharge coating or zinc plated finish
- *Precise gear tooth engagement
- *Embossed frame for reinforcement
- *Built-in hand brake (for item W06-525)
- *Snap-on handle for easy detachment
- *Switch with PVC cover

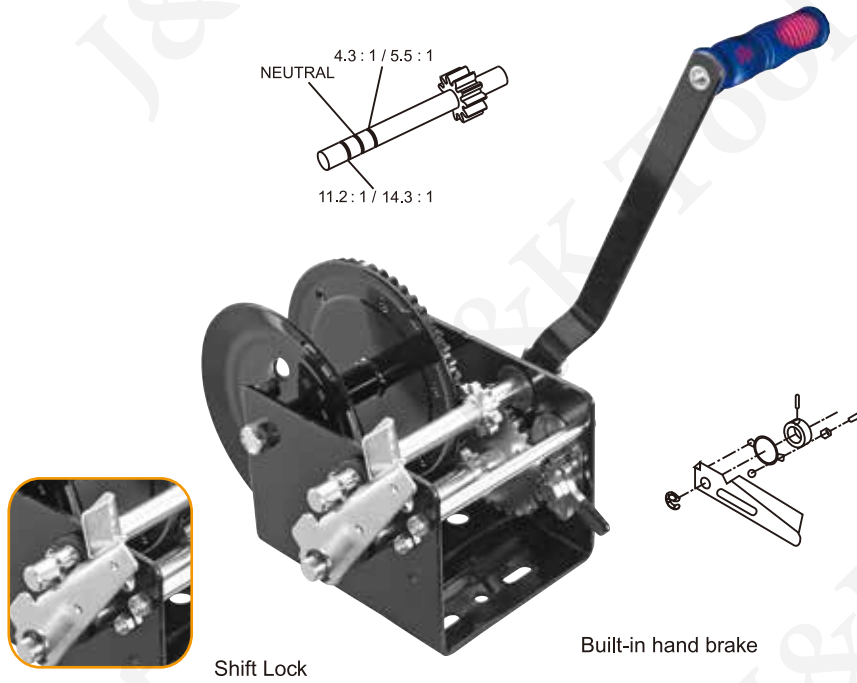


ITEM NO.	CAPACITY	GEAR RATIO	A	B	C	D	E	F	G	THICKNESS	
										BODY	GEAR
W06-520	2000lbs / 900kgs	4.1 : 1 / 10.7 : 1	180	154	130	68	298	299	12	4.0	8.0
W06-525	2500lbs / 1100kgs	5.1 : 1 / 13.3 : 1	198	185	131	67	298	299	14	4.5	9.0

※ Plastic guard for the gear is available

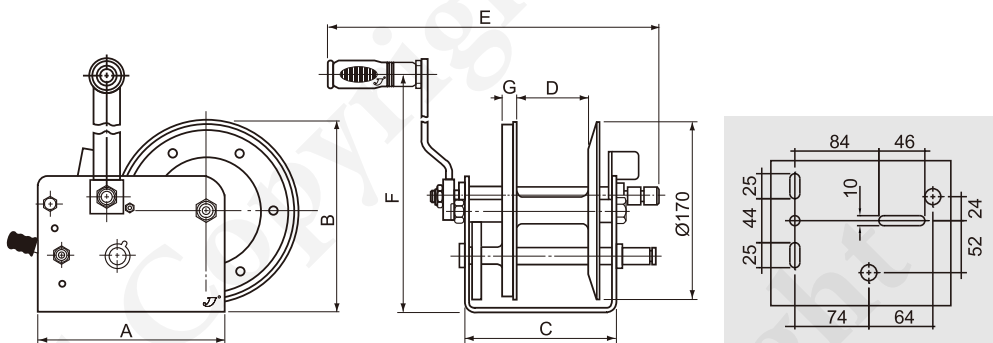
Professional

WINCHES



W06-520A / W06-525A

- *Solid gear construction
- *Black electrostatic discharge coating or zinc plated finish
- *Precise gear tooth engagement
- *Embossed frame for reinforcement
- *Dual speed design
- *Built-in hand brake (for item W06-525A)
- *Shift lock available
- *Switch with PVC cover



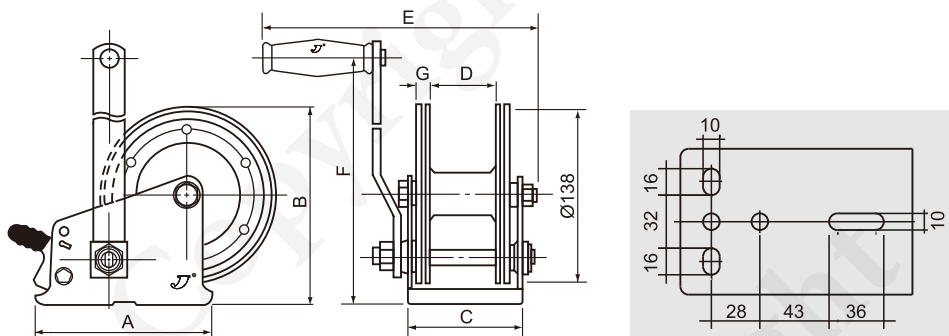
ITEM NO.	CAPACITY	GEAR RATIO	A	B	C	D	E	F	G	THICKNESS	
										BODY	GEAR
W06-520A	2000lbs / 900kgs	4.3 : 1 / 11.2 : 1	165	164	144	68	334	362	12	4.0	8.0
W06-525A	2500lbs / 1100kgs	5.5 : 1 / 14.3 : 1	180	183	145	67	334	362	14	4.5	9.0

Professional



W06-D520

- *Solid gear construction
- *Black electrostatic discharge coating or zine plated finish
- *Precise gear tooth engagement
- *Dual drive enhances pulling ability by distributing the load equally
- *Switch with PVC cover



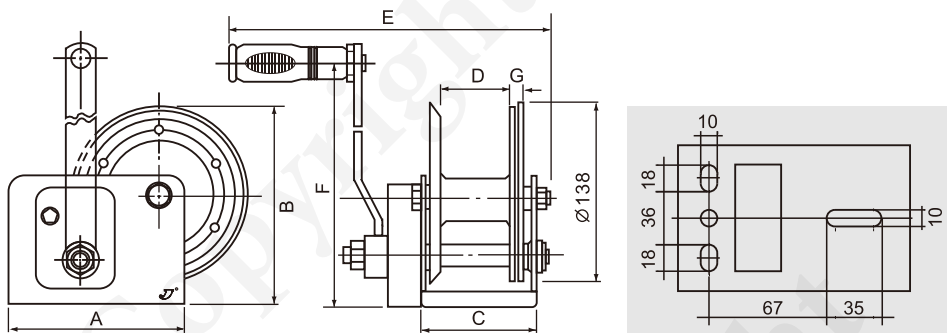
ITEM NO.	CAPACITY	GEAR RATIO	A	B	C	D	E	F	G	THICKNESS	
										BODY	GEAR
W06-D520	2000lbs / 900kgs	4.3 : 1	138	153	89	51	242	223	11	4.0	7.0

Standard



W06-512G / W06-514G / W06-516G

- *Solid gear construction
- *Black electrostatic discharge coating or zinc plated finish
- *With brake for easy operation



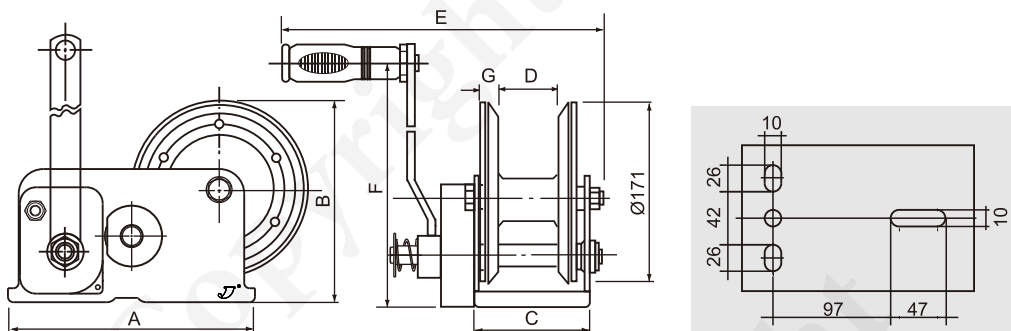
ITEM NO.	CAPACITY	GEAR RATIO	A	B	C	D	E	F	G	THICKNESS	
										BODY	GEAR
W06-512G	1200lbs / 545kgs	4.1 : 1	133	158	90	53	260	240	10	3.2	7.0
W06-514G	1400lbs / 636kgs	4.1 : 1	133	158	90	53	260	240	12	3.2	7.5
W06-516G	1600lbs / 727kgs	4.1 : 1	133	158	90	53	260	240	12	3.5	8.0

Professional WINCHES WITH BRAKE



W06-D520G / W06-D525G

- *Solid gear construction
- *Black electrostatic discharge coating or zinc plated finish
- *With brake for easy operation



ITEM NO.	CAPACITY	GEAR RATIO	A	B	C	D	E	F	G	THICKNESS	
										BODY	GEAR
W06-D520G	2000lbs / 900kgs	13.3 : 1	230	187	131	66	306	313	12	4.0	8.0
W06-D525G	2500lbs / 1100kgs	13.3 : 1	230	187	131	66	306	313	14	4.5	9.0

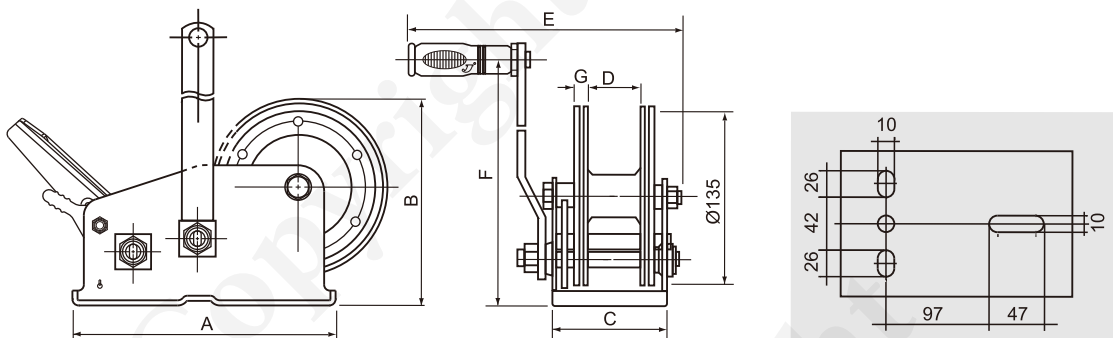
Professional

WINCHES



W06-D532 / W06-D537

- *Solid gear construction
- *Black electrostatic discharge coating or zinc plated finish
- *Precise gear tooth engagement
- *Dual drive enhances pulling ability by distributing the load equally



ITEM NO.	CAPACITY	GEAR RATIO	A	B	C	D	E	F	G	THICKNESS	
										BODY	GEAR
W06-D532	3200lbs / 1454kgs	5.1 : 1 / 13.1 : 1	230	184	131	66	292	300	14	4.5	8.0
W06-D537	3700lbs / 1684kgs	5.1 : 1 / 13.1 : 1	230	184	131	66	292	300	14	5.0	9.0

Professional WORM GEAR WINCHES

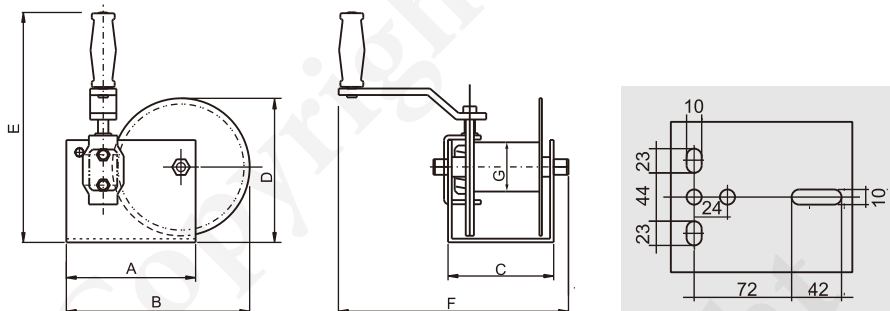


WINCHES

W06-915A / W06-920A / W06-930A

Worm gear winches are used for the applications such as raising and lowering poultry and livestock equipment, typically ceiling mounted.

- *Solid gear construction
- *Arc-welded for high strength construction
- *Reinforced bases
- *Black electrostatic discharge coating
- *Available in regular drum or divided reel



ITEM NO.	CAPACITY	GEAR RATIO	DESCRIPTION	A	B	C	D	E	F	DRUM Ø G	THICKNESS	
											BODY	GEAR
W06-915A	1500lbs / 700kgs	31 : 1	Regular Drum, Handle Drive	125	160	130	115	230	275	42	3.5	8.0
W06-920A	2000lbs / 900kgs	41 : 1	Regular Drum, Handle Drive	140	190	130	145	250	275	42	4.0	8.0
W06-930A	3000lbs / 1350kgs	51 : 1	Regular Drum, Handle Drive	160	228	130	178	270	275	60.5	4.5	9.0

Professional WORM GEAR WINCHES

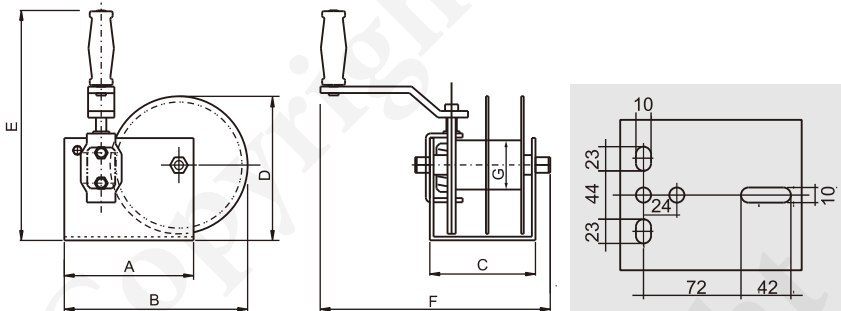
WINCHES



W06-915B / W06-920B / W06-930B

Worm gear winches are used for the applications such as raising and lowering poultry and livestock equipment, typically ceiling mounted.

- *Solid gear construction
- *Arc-welded for high strength construction
- *Reinforced bases
- *Black electrostatic discharge coating
- *Available in regular drum or divided reel



ITEM NO.	CAPACITY	GEAR RATIO	DESCRIPTION	A	B	C	D	E	F	DRUM Ø G	THICKNESS	
											BODY	GEAR
W06-915B	1500lbs / 700kgs	31 : 1	Divided Reel, Handle Drive	125	160	130	115	230	275	42	3.5	8.0
W06-920B	2000lbs / 900kgs	41 : 1	Divided Reel, Handle Drive	140	190	130	145	250	275	42	4.0	8.0
W06-930B	3000lbs / 1350kgs	51 : 1	Divided Reel, Handle Drive	160	228	130	178	270	275	48	4.5	9.0

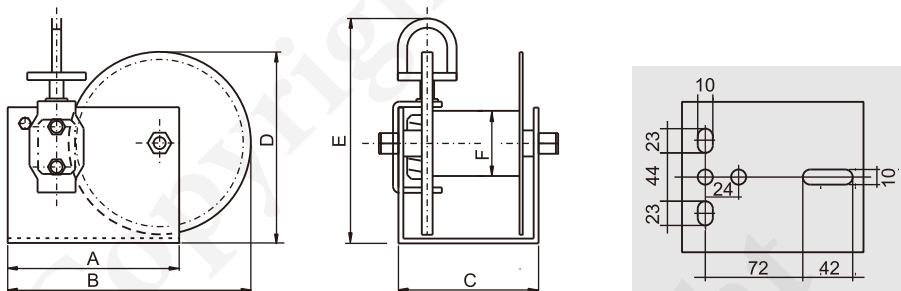
Professional WORM GEAR WINCHES



W06-915AL / W06-920AL / W06-930AL

Worm gear winches are used for the applications such as raising and lowering poultry and livestock equipment, typically ceiling mounted.

- *Solid gear construction
- *Arc-welded for high strength construction
- *Reinforced bases
- *Black electrostatic discharge coating
- *Available in regular drum or divided reel



ITEM NO.	CAPACITY	GEAR RATIO	DESCRIPTION	A	B	C	D	E	DRUM Ø F	THICKNESS	
										BODY	GEAR
W06-915AL	1500lbs / 700kgs	31 : 1	Regular Drum, Loop Drive	125	160	130	115	180	42	3.5	8.0
W06-920AL	2000lbs / 900kgs	41 : 1	Regular Drum, Loop Drive	140	190	130	145	198	42	4.0	8.0
W06-930AL	3000lbs / 1350kgs	51 : 1	Regular Drum, Loop Drive	160	228	130	178	210	60.5	4.5	9.0

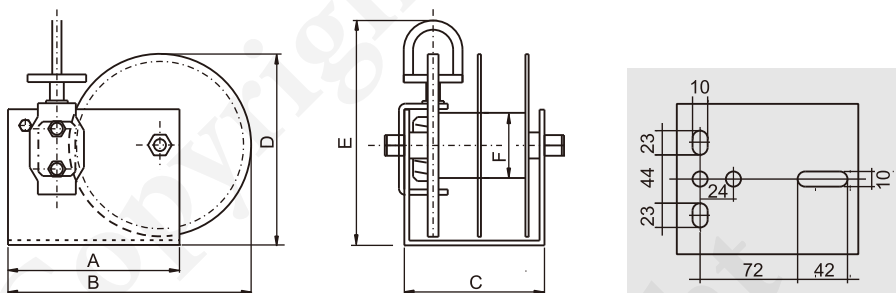
Professional WORM GEAR WINCHES



W06-915BL / W06-920BL / W06-930BL

Worm gear winches are used for the applications such as raising and lowering poultry and livestock equipment, typically ceiling mounted.

- *Solid gear construction
- *Arc-welded for high strength construction
- *Reinforced bases
- *Black electrostatic discharge coating
- *Available in regular drum or divided reel



ITEM NO.	CAPACITY	GEAR RATIO	DESCRIPTION	A	B	C	D	E	DRUM Ø F	THICKNESS	
										BODY	GEAR
W06-915BL	1500lbs / 700kgs	31 : 1	Divided Reel, Loop Drive	125	160	130	115	180	42	3.5	8.0
W06-920BL	2000lbs / 900kgs	41 : 1	Divided Reel, Loop Drive	140	190	130	145	198	42	4.0	8.0
W06-930BL	3000lbs / 1350kgs	51 : 1	Divided Reel, Loop Drive	160	228	130	178	210	48	4.5	9.0

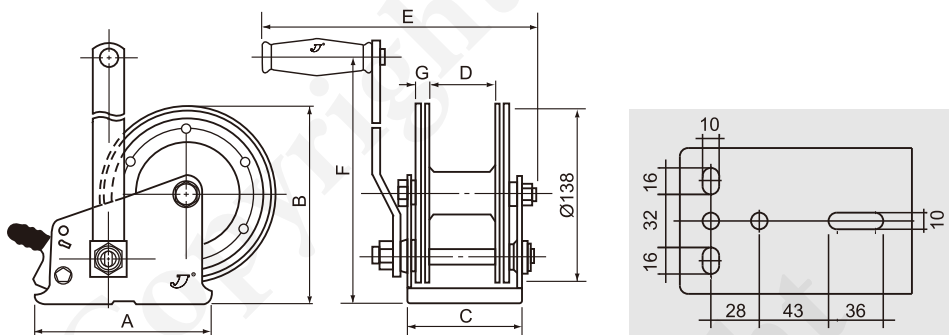
Professional Marine use (Stainless Steel)



WINCHES

W06-508-9

- *Stainless Steel
- *Solid gear construction
- *Precise gear tooth engagement
- *Dual drive enhances pulling ability by distributing the load equally
- *Switch with PVC cover



ITEM NO.	CAPACITY	GEAR	GEAR RATIO	A	B	C	D	E	F	G
W06-508-9	850lbs / 385kgs	Single	3.1 : 1	123	120	89	51	250	185	9

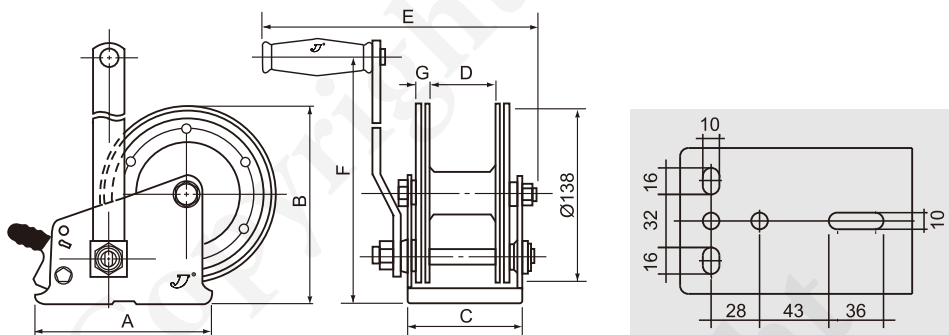
Professional Marine use (Stainless Steel)

WINCHES



W06-512-9

- *Stainless Steel
- *Solid gear construction
- *Precise gear tooth engagement
- *Dual drive enhances pulling ability by distributing the load equally
- *Switch with PVC cover



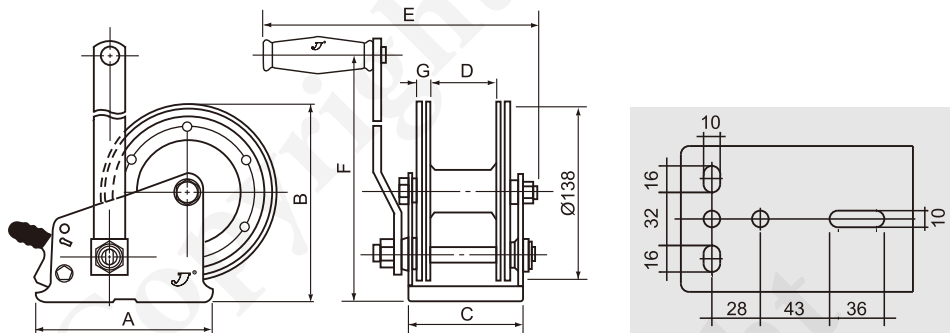
ITEM NO.	CAPACITY	GEAR	GEAR RATIO	A	B	C	D	E	F	G
W06-512-9	1200lbs / 545kgs	Single	4.1 : 1	137	153	89	51	244	228	9

Professional Marine use (Stainless Steel)



W06-D516-9

- *Stainless Steel
- *Solid gear construction
- *Precise gear tooth engagement
- *Dual drive enhances pulling ability by distributing the load equally
- *Switch with PVC cover



ITEM NO.	CAPACITY	GEAR	GEAR RATIO	A	B	C	D	E	F	G
W06-D516-9	1600lbs / 727kgs	Double	3.5 : 1	128	129	89	51	244	228	9

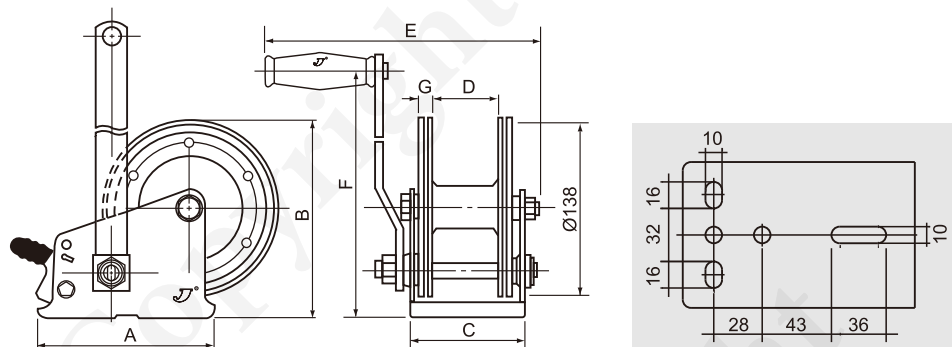
Professional Marine use (Stainless Steel)

WINCHES



W06-D520-9

- *Stainless Steel
- *Solid gear construction
- *Precise gear tooth engagement
- *Dual drive enhances pulling ability by distributing the load equally
- *Switch with PVC cover



ITEM NO.	CAPACITY	GEAR	GEAR RATIO	A	B	C	D	E	F	G
W06-D520-9	2000lbs / 900kgs	Double	4.1 : 1	138	154	90	51	244	228	9

ELECTRIC TRAILER WINCHES



W08-5060

- * With cable self-arranger avoiding cable tangling in the reel;
- * Emergency hand crank redeems a short circuit;
- * Multi-function electric winch could be applied on yacht trailer, off-road trailer and heavy pulling. It is designed based on safe, speedy and convenient views for helping people enjoy their recreations. The electric winch is also a good helper in our daily life.

Applications:

1. Yacht (Boat) trailer
2. Vehicle trailer
3. Outdoor recreations
4. Self-aid equipment
5. Horizontal pulling

CAPACITY	Rolling Load 3000kgs / 6000lbs Land Load 500kgs / 1000lbs
Marine Capacity	Max. Boat Size 18ft Max. Boat Weight 6000lbs
Power	Power Supply DC 12V Circuit Breaker 20AMP Power cord 6ft Negative Lead, 25ft Postive Lead.
Remote	10ft. Line.
Cable	4.8mm x 9m
Noise Lever	Sound Pressure Lever 89 db.
Package	1 pcs / Colorbox
Packing	1 pcs / N.W. 11.2kgs / G.W. 12kgs / 0.78Cuft

ACCESSORIES



Winch cable & Hook
(cable keeper included)

ITEM NO.	DIAMETER X LENGTH
WC-5CAH-15	5mm X 15FT (5mm X 4.5M) Cable With Hook
WC-5CAH-20	5mm X 20FT (5mm X 6M) Cable With Hook
WC-5CAH-25	5mm X 25FT (5mm X 7.6M) Cable With Hook
WC-5CAH-30	5mm X 30FT (5mm X 9M) Cable With Hook
WC-6CAH-15	6mm X 15FT (6mm X 4.5M) Cable With Hook
WC-6CAH-20	6mm X 20FT (6mm X 6M) Cable With Hook
WC-6CAH-25	6mm X 25FT (6mm X 7.6M) Cable With Hook
WC-6CAH-30	6mm X 30FT (6mm X 9M) Cable With Hook
WC-8CAH-15	8mm X 15FT (8mm X 4.5M) Cable With Hook
WC-8CAH-20	8mm X 20FT (8mm X 6M) Cable With Hook
WC-8CAH-25	8mm X 25FT (8mm X 7.6M) Cable With Hook
WC-8CAH-30	8mm X 30FT (8mm X 9M) Cable With Hook



Winch strap & Hook

ITEM NO.	DIAMETER X LENGTH
WB-5015HP	50mm X 15FT (50mm X 4.5M) Webbing With Hook
WB-5020HP	50mm X 20FT (50mm X 6M) Webbing With Hook
WB-5025HP	50mm X 25FT (50mm X 7.6M) Webbing With Hook
WB-5030HP	50mm X 30FT (50mm X 9M) Webbing With Hook
WB-6315HP	63mm X 15FT (63mm X 4.5M) Webbing With Hook
WB-6320HP	63mm X 20FT (63mm X 6M) Webbing With Hook
WB-6325HP	63mm X 25FT (63mm X 7.6M) Webbing With Hook



WP-50



WP-50B



WP-51



WP-52

RATCHET COVER (Plastic)

* all winches supplied by Jun Kaung are available to attach the specific winch cover.

ITEM NO.	FOR WINCH ITEN
WP-50	W06-506, W06-508
WP-50B	W06-508B, W06-510B
WP-51	W06-512, W06-514, W06-516
WP-52	W06-520, W06-525

Let Jun Kaung's Quality Products Be Your Best Helpmate!

